

MOHAC

FULL AUTOMATIC
USER'S MANUAL



INDEX

1 - WARNINGS AND SAFETY RULES.....	1
2 - RESPONSIBILITY	5
3 - CHAMBER SAFETY	6
4 - BASIC FEATURES	7
5 - SAFETY AND FIRING MODES	8
5.1. ENGAGING THE SAFETY	8
5.2. SETTING THE FIREARM TO SEMI-AUTOMATIC MODE	8
5.3. SETTING THE FIREARM TO FULL-AUTOMATIC MODE	9
6 - LOADING THE FIREARM.....	10
7 - AIMING AND SHOOTING	13
8 - UNLOADING THE FIREARM.....	14
9 - CLEARING A JAM.....	14
10 - FIELD STRIPPING THE FIREARM	15
11 - USER-LEVEL MAINTENANCE AND CLEANING	20
12 - STORAGE	22
12.1. PREPARATION FOR STORAGE.....	22
12.2. CLEANING AFTER LONG-TERM STORAGE.....	22
13 - SPARE PARTS CATALOG	23
13.1. COMPLETE UPPER RECEIVER.....	23
13.2. COMPLETE BOLT ASSEMBLY	24
13.3. COMPLETE LOWER RECEIVER	25
13.4. 30-ROUND AND 20-ROUND MAGAZINE ASSEMBLY	26
14 - WARRANTY TERMS	27

WARNINGS AND SAFETY RULES

Children may be interested in firearms and may attempt to use them, which can lead to serious injury or death. Prevent children from accessing firearms by keeping them locked, unloaded, and stored separately from ammunition when not in use. If a firearm is within a child's reach and used inappropriately, you may be fined or imprisoned.

! Firearm Safety is Your Responsibility

A firearm is only as safe as the person handling it. You can never be too careful when using a firearm. Accidents often result from carelessness, such as failing to point the muzzle in a safe direction, not being certain of your target and what is beyond it, failing to engage the safety properly, leaving ammunition in the chamber, or using improper loads. Once a bullet is fired, it cannot be taken back. Such mistakes can lead to loss of life, severe injury, or property damage. Therefore, before using your new firearm, it is crucial for your safety and that of those around you to learn the principles of safe firearm use and storage. Since not all firearms are the same, even if this is not your first firearm, please read this instruction manual from beginning to end to ensure you become a safe shooter. The first step to becoming a responsible shooter is learning the rules for the safe handling and use of firearms. Safety is the most important aspect of firearm use. Before using a firearm, you must memorize the Ten Commandments of Firearm Safety. These rules apply to all individuals handling firearms, whether in the field, at the range, or at home. Please read, review, and understand these rules before using or even unboxing your new firearm. Remember, firearm safety is your responsibility! Memorizing these safety rules will help prevent accidents. Please review these safety rules before using your firearm.

RULE 1

Always point the muzzle in a safe direction. This is the most fundamental and essential safety rule. A safe direction means that, even if the firearm is accidentally discharged, it will not cause injury or damage. This is especially important when loading or unloading the firearm. Never point your firearm at anything you do not intend to shoot. Treat every firearm as if it is loaded at all times.

RULE 2

Firearms should be unloaded when not in use. Firearms should only be loaded when in the field, at a shooting range, or on a firing line. When not in use, firearms and ammunition should be stored separately in a secure place. Always visually check the chamber when handling or handing over a firearm. Never assume a firearm is unloaded, as you may not have been the last person to use it. Never attempt to climb obstacles, trees, cross streams, or make unusual movements with a loaded firearm. If in doubt, unload your firearm! Never point a loaded firearm at yourself or another person. Never carry a loaded firearm in an unsecured holster or gun case.

RULE 3

Do not rely entirely on the firearm's safety mechanism. Even if you are not applying pressure to the trigger, treat every firearm as if it could discharge at any moment. The safety mechanism is a mechanical device, and like any device, it may fail at the worst possible time. Never assume your firearm is unloaded just because you engaged the safety. Do not handle firearms carelessly. Never pull the trigger while the safety is engaged or positioned between "Safe" and "Fire." Never use a firearm under the influence of alcohol, drugs, or any substance that may impair judgment. Safe firearm use requires full awareness and concentration.

RULE 4

Be sure of your target and what is beyond it. Once a bullet is fired, it cannot be taken back. Before firing, know where the bullet will go and what it may hit. Make sure your shot will not injure anyone or hit anything beyond your target. Never fire at a sound, a movement, or an unidentified object. A small-caliber bullet can travel over a mile. Ensure you have a safe backstop, such as a hill, and be aware of how far your bullet may travel if you miss your target.

RULE 5

Use the correct ammunition. Every firearm is designed for a specific caliber of ammunition. It is essential to use the correct ammunition for your firearm. Information on the appropriate ammunition is found in the firearm's user manual and manufacturer markings on the firearm. Using incorrect, reloaded, or damaged ammunition can cause firearm malfunction, serious injury, or death. Always inspect ammunition before use.

RULE 6

If your firearm fails to fire when the trigger is pulled, proceed with caution. If a cartridge fails to fire when the trigger is pulled, follow Rule 1 and keep the muzzle pointed in a safe direction. Wait at least one minute to ensure there is no delayed ignition. Carefully unload the firearm and dispose of the defective ammunition properly.

RULE 7

Always wear eye and ear protection when shooting. Exposure to shooting noise can cause permanent hearing loss. Wearing shooting glasses and ear protection is a good habit. When cleaning or disassembling your firearm, wear protective glasses to prevent exposure to cleaning chemicals and high-tension parts.

RULE 8

Ensure the barrel is clear of obstructions before shooting. Firing a firearm with any obstruction in the barrel (mud, sand, debris, snow, excessive oil, or grease) can cause severe injury, damage, or death. Check the chamber and magazine before loading. Also, inspect the barrel for any obstructions. Even minor blockages can cause excessive pressure, leading to barrel rupture.

RULE 9

Do not modify your firearm with unauthorized parts and maintain it regularly. Firearms are designed to function safely in their original configuration. Any modifications or alterations can make the firearm unsafe and void its warranty. Do not alter the trigger mechanism, safety, or other parts, as this may endanger you and others. Have your firearm regularly inspected and maintained by a qualified gunsmith.

RULE 10

Understand the mechanical and operational characteristics of your firearm. Firearms operate differently. The methods for handling, loading, and unloading a firearm vary based on its mechanical features. Do not use any firearm unless you are familiar with its safe handling procedures and operational characteristics.

WARNING!

! Firearm safety is your responsibility
! A safe shooter is a knowledgeable shooter.

WARNING!

If your firearm malfunctions (e.g., powder/gas discharge, case swelling, primer puncture) or sounds different than usual, STOP SHOOTING IMMEDIATELY and UNLOAD YOUR FIREARM. Do not attempt to fire again. Have the firearm inspected by a qualified gunsmith.

WARNING!

Before loading, ensure that the ammunition you use is clean, undamaged, and of the correct caliber. The manufacturer and distributor of this firearm do not accept responsibility for reloaded, remanufactured, or hand-loaded ammunition. Use only high-quality, factory-made ammunition. Using incorrect or substandard ammunition can result in injury, death, or damage. Firearm safety depends on following manufacturer guidelines regarding ammunition use.

2. RESPONSIBILITY

Our products are classified as FIREARMS and are sold with the understanding that HUĞLU SAVUNMA A.Ş. shall not be held responsible for firearm malfunctions, physical injuries, loss of life, or material damages arising from one or more of the causes listed below:

Criminal or negligent shooting

Improper, careless, or malicious use

Unauthorized modifications or improper part replacements

Defective, improper, hand-loaded, or reloaded ammunition

Neglect of corrosion prevention and/or maintenance

Other effects beyond our direct and indirect control

This limitation applies regardless of whether liability is claimed based on contract, negligence, or strict liability (including failure to provide any type of warning). HUĞLU SAVUNMA A.Ş. shall not, under any circumstances, be held responsible for loss of property use, commercial loss, or loss of profit due to malfunction or indirect damages.

Keep this manual with your firearm. Ensure that you understand the warnings, operating instructions, and safety procedures. When selling the firearm, provide this manual along with it. A copy of this manual can be requested from HUĞLU SAVUNMA A.Ş.

3. CHAMBER SAFETY

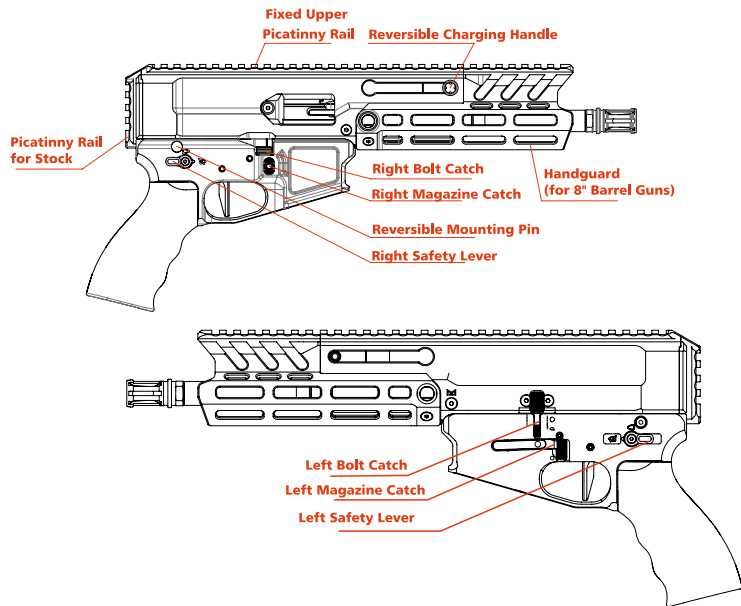
HUĞLU SAVUNMA A.Ş. ships firearms with a chamber safety flag. When inserted, the chamber safety flag prevents a round from being chambered and visibly indicates that the firearm's chamber is empty. The chamber safety flag should always be inserted into the chamber when the firearm is not in use.

Many public shooting ranges require chamber safety flags to be inserted when the firing line is cold.

! Firearm safety is entirely the shooter's responsibility. Always treat all firearms as if they are loaded.

! Read this manual before using the firearm.

4. BASIC FEATURES

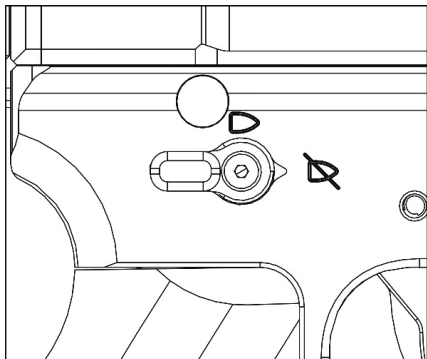


Technical Specifications

Gun Type	: Submachine Gun
Caliber	: 9x19mm
Magazine Capacity	: 10/20/30 Rounds
Operating System	: Mass Delayed Blowback/Closed Bolt
Operation Modes	: Semi-Full Automatic
Trigger Pull	: ~25N
Barrel Twist Rate	: 1:10
Number of Grooves	: 6 rifling - 6 sets
Muzzle Thread	: 1/2x28
Upper/Lower Frame	: 6082 T6 Aluminum
Safety Pin	: Compatible with AR15 (Just Full Auto)
Magazine Release Button	: Compatible with AR15

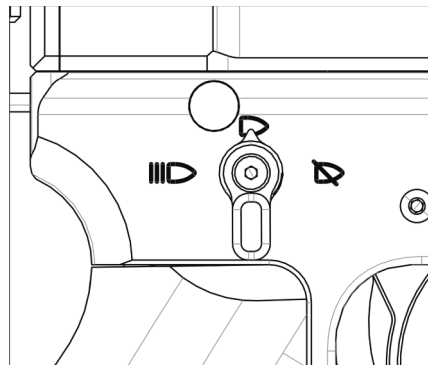
5. SAFETY AND FIRING MODES

5.1. ENGAGING THE SAFETY



To make the weapon SAFE, rotate the safety lever located on the upper rear side of the trigger guard towards the crossed cartridge icon. The position of the safety lever should match the one shown in the illustration. This will lock the trigger and prevent the weapon from firing.

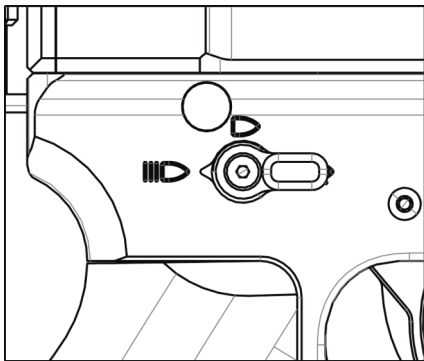
5.2. SETTING THE FIREARM TO SEMI-AUTOMATIC MODE



To switch the weapon to SEMI-AUTOMATIC FIRING mode, rotate the safety lever located on the upper rear side of the trigger guard towards the single cartridge icon. The position of the safety lever should match the one shown in the illustration. In this position, the weapon will fire in semi-automatic mode.

5. SAFETY AND FIRING MODES

5.3. SETTING THE FIREARM TO FULL-AUTOMATIC MODE



To switch the firearm to FULLY AUTOMATIC FIRE mode, rotate the safety lever located at the rear part of the trigger guard toward the icon with three lines cartridge.

The safety lever should be positioned as shown in the image. In this position, the firearm will fire in fully automatic mode.

6. LOADING THE FIREARM

WARNING!

Before loading, ensure that the barrel is free of dirt or any other obstructions.

WARNING!

Never load a firearm in an enclosed space. Accidental discharge may cause property damage, serious injury, and/or death! Never use live ammunition to test your firearm indoors.

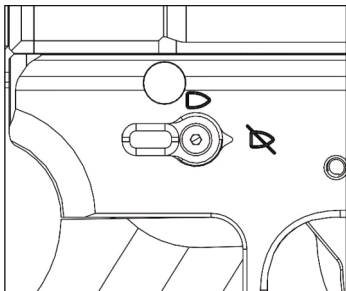
WARNING!

Keep your fingers away from the trigger while loading.

WARNING!

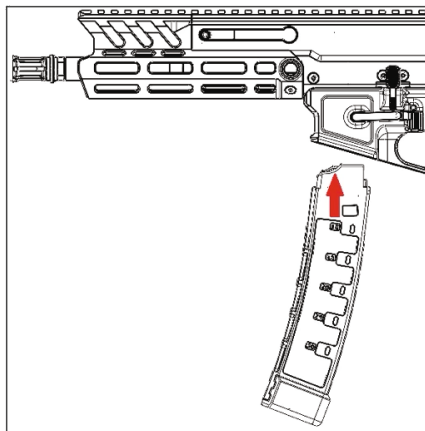
Point the barrel in a safe direction.

1. Move the safety lever to the crossed cartridge icon position and engage the safety.

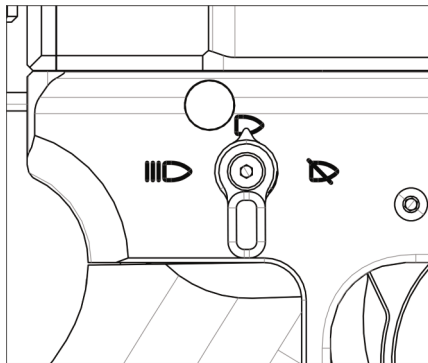


2. Load the magazine with the correct ammunition by pressing the cartridges one by one into the magazine. Ensure that the base of each cartridge touches the back of the magazine.

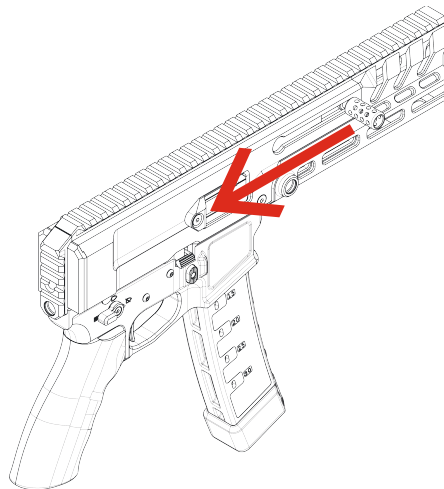
3. Hold the firearm by the grip with one hand and insert the magazine into the magazine well at the bottom of the firearm with the other hand.



4. Press the magazine inward until you feel the magazine release catch into place. You should hear a clicking sound when it locks in. To ensure it is properly locked, pull the magazine downward.
5. Keep your finger outside the trigger guard and point the barrel in a safe direction.
6. Rotate the safety lever to the single cartridge icon or to disengage the safety.



7. While holding the firearm with one hand, grasp the cocking handle with the other hand and pull it toward you. Release the cocking handle. The mechanism, under spring tension, will rapidly move forward, extracting a round from the magazine and chambering it. The firearm is now loaded and ready to fire.

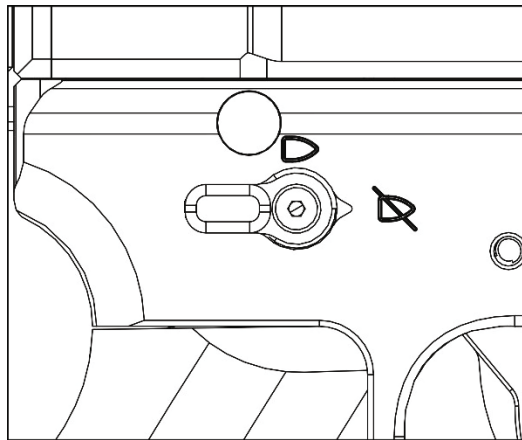


WARNING!

When you pull the cocking handle, the recoil spring is compressed and gains force. To avoid injury when releasing the cocking handle, keep your hand clear of its range of motion.

Otherwise, the cocking handle may strike you and cause injury. The cocking handle should be released, allowing the mechanism to close freely. If you slow it down, the loading process may not complete, and the firearm may fail to fire.

8. If you do not wish to fire, move the safety lever to the crossed cartridge icon position and engage the safety.



WARNING!

If the firearm is loaded and the safety lever is in the single cartridge icon position, pulling the trigger will cause the firearm to discharge. Use with extreme caution—when not intending to fire, always point the barrel in a safe direction.

7. AIMING AND SHOOTING

WARNING!

After shooting, the barrel will be very hot!

WARNING!

Keep your hands away from the barrel! Avoid touching the barrel or allowing it to come into contact with objects that may be damaged by the heat or catch fire!

WARNING!

To minimize the risk of accidental discharge, immediately unload your firearm after use, before cleaning and storing it. If your firearm fails to discharge, hold it pointed at the target for at least 30 seconds in case of hangfire (delayed discharge). If the round does not fire, first remove the magazine, then pull the cocking handle to eject the live round, ensuring you are not exposed to recoil.

1. To achieve a good shot, aim the firearm at the center of the target. While shooting, you may need to try different shooting styles until you find the one most suitable for your sport or shooting activity. Always ensure the shooting line is safe before firing.
2. Move the safety lever to the single cartridge icon to disengage the safety.
3. After aiming, place your finger on the trigger.
4. Align your sights with the target. Gently squeeze the trigger to fire the first shot.
5. You can continue shooting in this manner until the magazine is empty.
6. When the last round is fired, the firearm's mechanism will remain at the rear position.
7. Press the magazine release button to drop the empty magazine and then insert a loaded one.
8. Use either of the cocking levers on both sides of the firearm to release the mechanism and continue shooting.
9. When you are done shooting, move the safety lever to the crossed cartridge icon position to engage the safety.

8. UNLOADING THE FIREARM

WARNING!

If there is a round in the chamber and the trigger is pulled, the firearm will discharge, even if the magazine is not inserted.

WARNING!

If there is a round in the chamber and the firearm is dropped, it may discharge, even if the firearm is on safety.

WARNING!

At the end of shooting, the firearm must be placed on safety. In this case, cock the trigger again and move the safety lever to the crossed cartridge icon position. To re-cock the trigger, pull and release the cocking handle.

1. Move the safety lever to the crossed cartridge icon position.
2. Press either of the magazine release buttons to remove the magazine from the firearm.
3. Pull the cocking handle backward. If there is a round in the chamber, it will eject. Pull the cocking handle again and visually check the chamber.
4. Without moving the barrel from the safe area, release the trigger. Pull the cocking handle again and cock the trigger. To engage the safety, the trigger must be cocked.
5. Move the safety lever to the crossed cartridge icon position. If you intend to store the firearm with the magazine, make sure the magazine is empty before inserting it into the firearm.

9. CLEARING A JAM

If a jam occurs during shooting due to ammunition, the magazine, or the firearm itself, follow these steps:

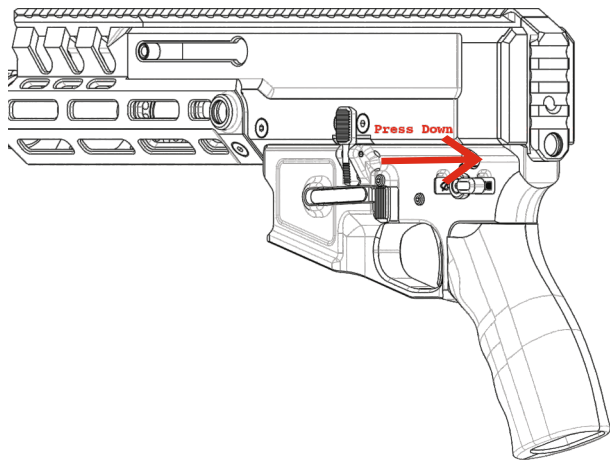
WARNING!

The barrel must always be pointed in a safe direction.

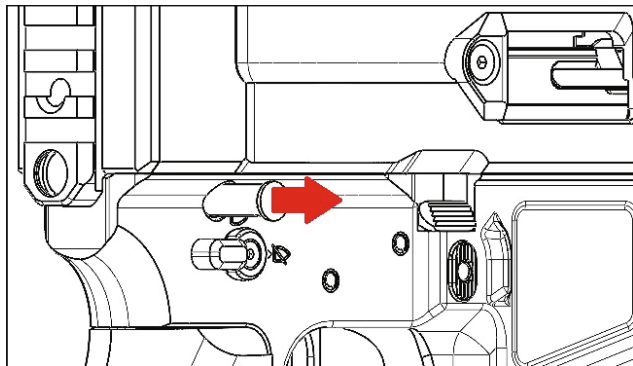
To clear the jam, follow the instructions under the heading "I. UNLOADING THE FIREARM" Then, if you wish to continue shooting, follow the instructions under the heading "8. LOADING THE FIREARM"

10. FIELD STRIPPING THE FIREARM

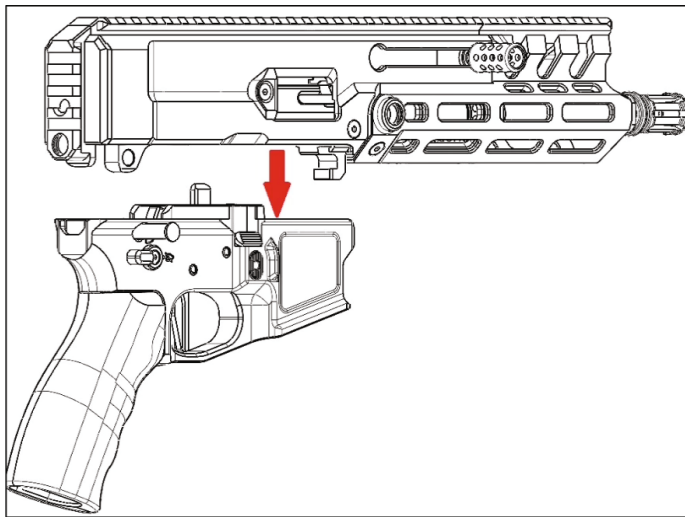
1. To perform the disassembly of the firearm, press down firmly on the interchangeable mounting pin located on the lower receiver.



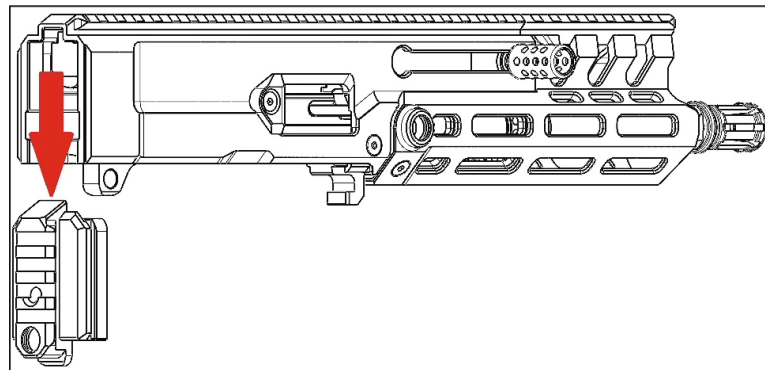
2. Pull the mounting pin all the way out. During disassembly, the pin will not come completely out of place.



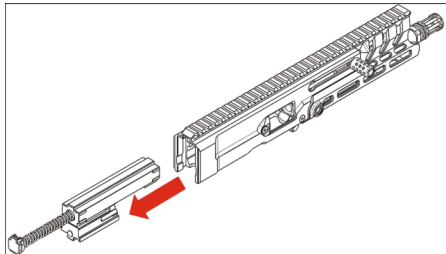
3. After pulling the pin all the way out, pull the lower receiver downward.



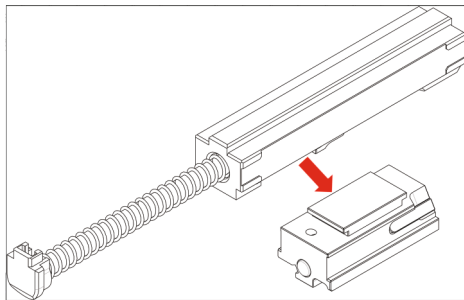
4. Pull the "block" piece, which covers the rear of the upper receiver, downward.



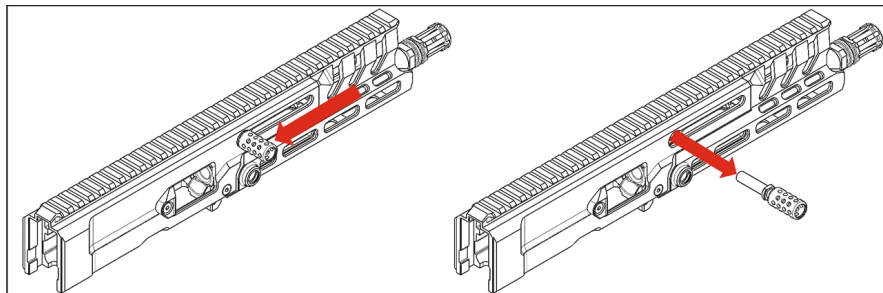
5. Pull the mechanism backward to remove it.



7. Slide the two lower components of the mechanism apart to remove them from each other.

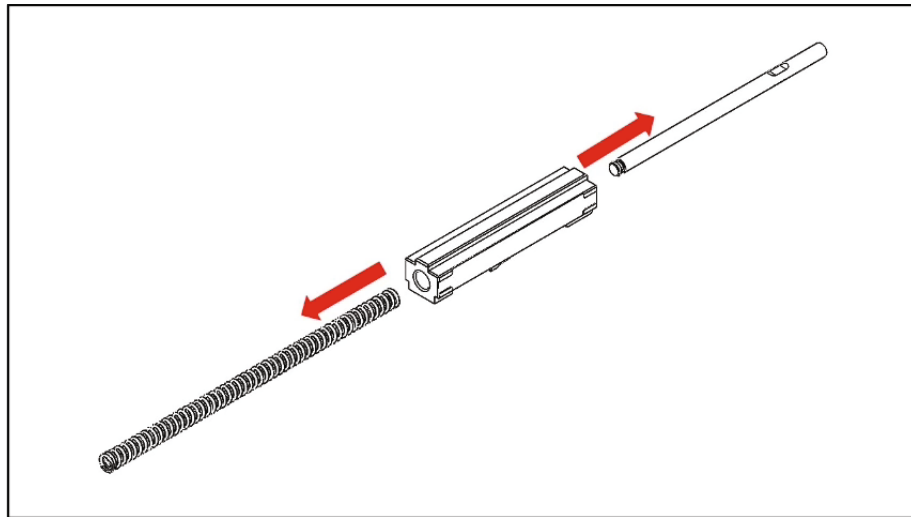
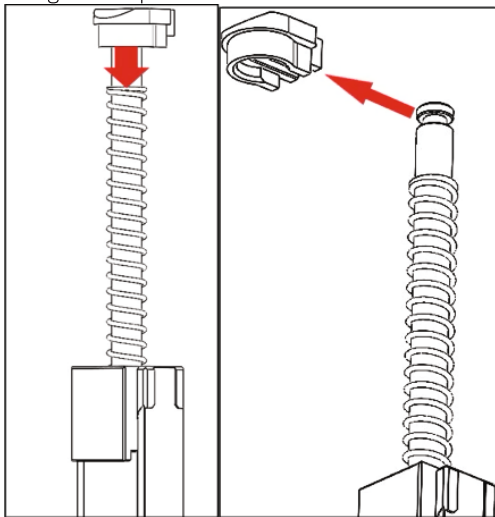


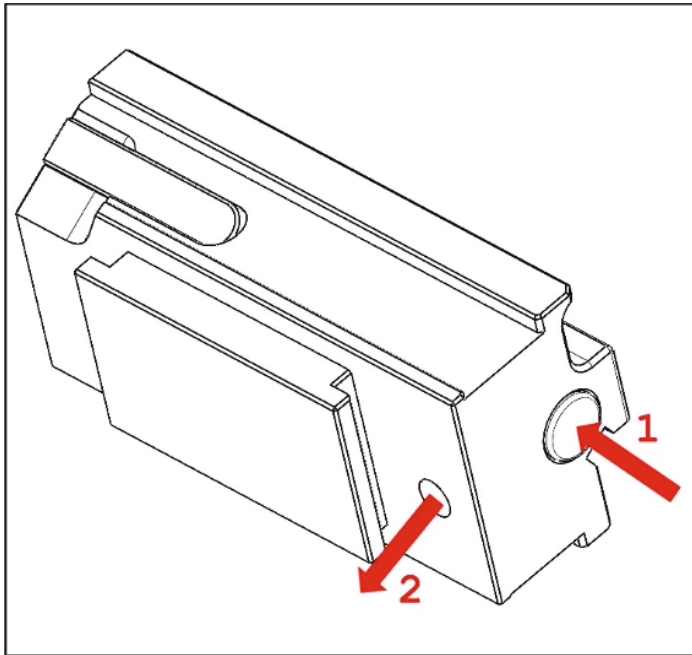
6. Pull the cocking handle backward until it aligns with the removal slot, then pull it out of the slot. You can change the direction of the cocking handle by inserting it into the same slot on the other side of the firearm.



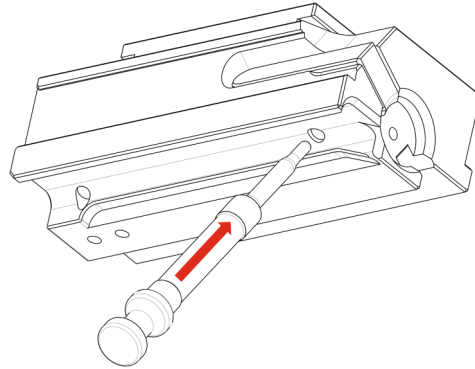
8. Place the mechanism block assembly on a flat surface and pull the recoil spring downward with your hand. Once the recoil spring is released, slide and remove the recoil lock.

This will complete the field disassembly of the mechanism block assembly. Keep in mind that the recoil spring has pre-tension, so exercise caution while performing this step.





10. Remove the firing pin and firing pin spring. Using the thin end of the firing pin or the 2.5mm Allen wrench, apply light pressure to the extractor pin and remove it. Then, remove the extractor and extractor spring from their housing.



11. With the removal of the mechanism, the field stripping of the firearm is completed. You can reassemble the firearm by following the steps in reverse order.

11. USER-LEVEL MAINTENANCE AND CLEANING

WARNING!

Before starting the cleaning process, ensure that the firearm is unloaded.

WARNING!

Some firearm parts may have sharp edges. Protect your fingers by wearing a pair of protective gloves while cleaning.

WARNING!

During cleaning, certain tensioned parts such as springs may come loose. Protect your eyes by wearing safety glasses, such as shooting glasses.

WARNING!

Excessive use of cleaning solvent or lubricant may negatively affect the firearm's function. Before firing, wipe the inside of the barrel and ensure there are no obstructions.

WARNING!

Some cleaning solvents produce hazardous fumes. Read and follow the warnings provided by the solvent manufacturer on the product packaging.

WARNING!

Handling ammunition and cleaning firearms may expose you to lead and other substances that could pose health risks. After shooting or cleaning your firearm, wash your hands and face.

WARNING!

Firearms should be periodically inspected by a qualified gunsmith for worn or damaged parts. This helps ensure safe operation and longevity.

Maintenance Intervals

To prevent residue buildup and corrosion, clean your firearm as soon as possible after each use. Even if the firearm has not been fired, regular cleaning is necessary to keep it in good working condition.

- If you live in a low-humidity area, cleaning once or twice a year may be sufficient.
- If you live in a high-humidity area, you may need to clean your firearm weekly.

Follow the field stripping procedures before proceeding with cleaning.

1. Select the appropriate caliber cleaning brush and attach it to a cleaning rod.
2. Moisten the brush with gun cleaning solvent, then insert and push the brush through the barrel several times.
3. Remove the brush, attach a properly sized cleaning patch to the cleaning rod, and insert it into the barrel several times to remove loosened debris.
4. After cleaning the inside of the barrel, repeat this process using the brush and cleaning patch until the final patch comes out clean. Then, lightly lubricate the barrel.
5. Use the included brush to loosen and wipe away gunpowder residue accumulated on moving parts such as the firearm's action. Then, wipe these parts with a lightly oiled cloth.
6. Finally, wipe the entire exterior surface of the firearm with a soft cloth lightly coated with oil.

WARNING!

Never pull the cleaning rod with the brush or cleaning patch from the muzzle end toward the chamber when cleaning the inside of the barrel!

WARNING!

Never use excessive force when disassembling, cleaning, or reassembling the firearm!

12. STORAGE

12.1. PREPARATION FOR STORAGE

Before storing your firearm, it should be thoroughly cleaned and lightly lubricated. A thin layer of gun oil should be applied to all exposed surfaces. The exterior parts and the inside of the barrel must be completely dried. Ensure that cleaning cloths used in humid environments are dry. Once the metal parts have been dried, avoid handling them with bare hands.

For normal storage periods, metal parts should be lightly coated with protective oil. For long-term storage, they should be lightly coated with grease. The firearm should never be wrapped in cloth or similar materials, nor should a plug be inserted into the barrel, as these materials absorb moisture and may cause rust.

12.2. CLEANING AFTER LONG-TERM STORAGE

A firearm that has been in long-term storage should be thoroughly cleaned and lubricated with standard protective oil before use. If you intend to fire the firearm immediately after storage, all protective oil or grease must be completely removed. Ensure that the barrel is dry and free from obstructions before firing.

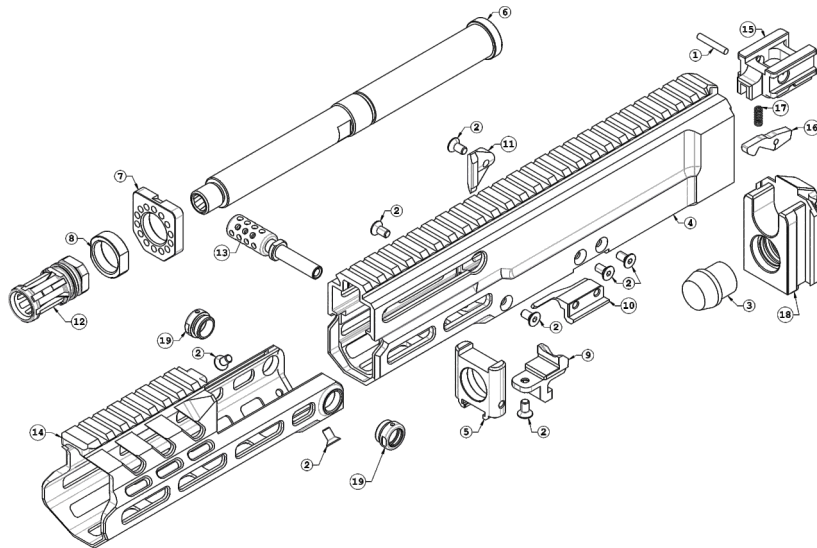
BEFORE STORING, CHECK WHETHER YOUR FIREARM IS LOADED. ALWAYS STORE FIREARMS AND AMMUNITION SEPARATELY IN A SECURE LOCATION, OUT OF REACH OF UNAUTHORIZED PERSONS. WHEN NOT IN USE, ALWAYS KEEP YOUR FIREARM SAFELY LOCKED.

WARNING!

Replacing or modifying the internal components of the firearm with improper parts is dangerous and voids the warranty. This firearm is designed to function properly with its original components. It is your responsibility to ensure that any parts you purchase are specifically made for this firearm, are installed correctly, and that neither replacement nor original parts have been altered or modified. A firearm is a complex and precision-engineered tool with many interdependent components that must work together for safe and proper operation. Assembling a firearm with incorrect or modified parts can lead to firearm damage, hazardous malfunctions, and potentially cause injury or death to you or others. Always consult a qualified gunsmith for any modifications or repairs to your firearm.

13. SPARE PARTS CATALOG

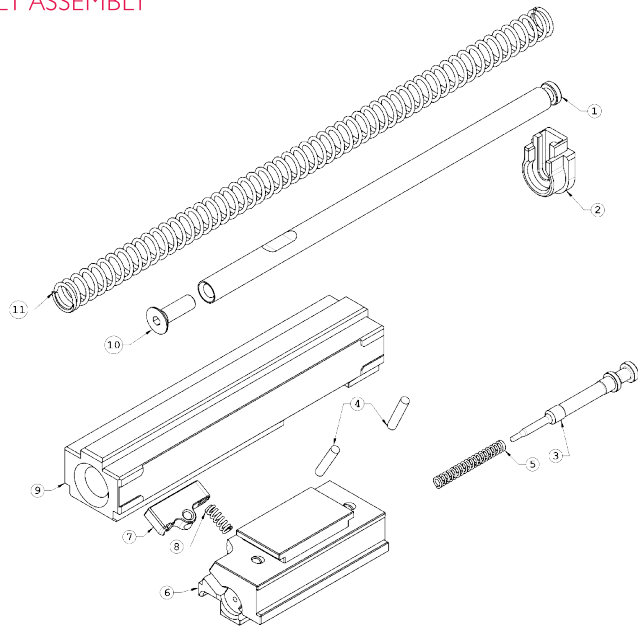
13.1. COMPLETE UPPER RECEIVER



PART NAME

1. Charging Handle Block Pin
2. Assembly Screw
3. Wedge Buffer
4. Upper Receiver
5. Barrel Head
6. Barrel
7. Barrel Lug
8. Barrel Nut
9. Ramp
10. Ejector
11. Deflector
12. Flash Hider
13. Charging Handle
14. Handguard
15. Charging Handle Block
16. Charging Handle Lock
17. Light Positioning Spring
18. Wedge
19. QD Port

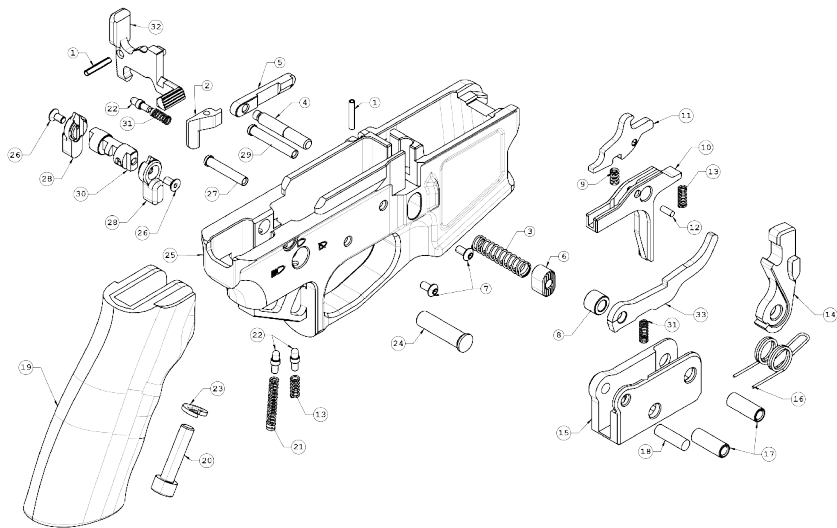
13.2. COMPLETE BOLT ASSEMBLY



PART NAME

1. Recoil Spring Carrier
2. Recoil Spring Lock
3. Firing Pin
4. Assembly Pin
5. Firing Pin Spring
6. Bolt
7. Extractor
8. Extractor Spring
9. Bolt Block
10. Recoil Spring Screw
11. Recoil Spring

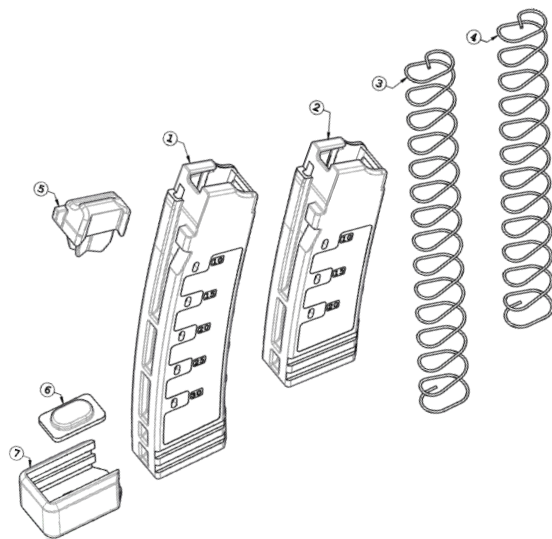
13.3. COMPLETE LOWER RECEIVER



PART NAME

- | | |
|--------------------------------|------------------------------|
| 1. Spiral Assembly Pin | 17. Trigger Pipe |
| 2. Magazine Catch Left Button | 18. Ring Pin |
| 3. Magazine Catch Spring | 19. ARI5 Grip |
| 4. Magazine Catch Shaft | 20. Grip Screw |
| 5. Magazine Catch | 21. Long Positioning Spring |
| 6. Magazine Catch Right Button | 22. Positioning Pin |
| 7. Trigger Box Assembly Screw | 23. Grip Washer |
| 8. Ring | 24. Assembly Pin |
| 9. Disconnecter Spring | 25. Lower Receiver |
| 10. Trigger | 26. Selector Latch Screw |
| 11. Disconnecter | 27. Short Trigger Screw |
| 12. Disconnecter Pin | 28. Selector Latch |
| 13. Heavy Positioning Spring | 29. Long Trigger Screw |
| 14. Hammer | 30. Selector |
| 15. Trigger Box | 31. Light Positioning Spring |
| 16. Hammer Spring | 32. Bolt Catch |
| | 33. Auto Sear |

I 3.4. 30-ROUND AND 20-ROUND MAGAZINE ASSEMBLY



PART NAME

1. Magazine Body 30rd
2. Magazine Body 20rd
3. Magazine Spring 30rd
4. Magazine Spring 20rd
5. Magazine Follower
6. Magazine Floor Plate Retainer
7. Magazine Floor Plate

14. WARRANTY TERMS

1. The warranty period for our products begins from the date of delivery and lasts for two (2) years.
2. In case the delivered product does not meet the specifications specified at the time of order, the dispute and claim period for requesting the correct product is ten (10) days from the delivery date. If no objection or claim is made within this period, the delivered product will be considered accepted. If the objection is accepted, the product must be sent to our company or authorized distributor within ten (10) days from the delivery date. If our experts determine that the product has not been used and the malfunction is not caused by customer error, the product requested at the time of order will be sent to the customer. The maximum period for sending the replacement product to the customer is three (3) months from the arrival of the incorrect product at our company or authorized distributor.
3. Technical information about the product can be found in the “Technical Specifications” section of this user manual.
4. Objections and claims will not be considered and no action will be taken regarding the product unless a photocopy of the invoice is presented along with the faulty product.
5. In the event of a malfunction or failure, our products will be shipped to the customer with the requested shipping method (cargo, postal service, etc.) with the chamber empty. Our company is not responsible for any damage or malfunction occurring during shipping.
6. All parts of our products are covered by our warranty. Malfunctions and failures that occur due to improper handling, maintenance, or use contrary to the guidelines in the user manual are not covered by the warranty.
7. If the product malfunctions during the warranty period, the time spent in repair will be added to the warranty period. This period begins from the date the product is received by the service station. The consumer cannot report the malfunction by phone, fax, email, registered letter, or similar methods. Whether the malfunction falls under the warranty will be determined based on a report from our after-sales service and quality control experts.
8. In the case of a malfunction or the need for maintenance of an out-of-warranty product, the repair and maintenance time will be evaluated by expert personnel and communicated to the customer.

9. If the product malfunctions due to material, workmanship, or assembly errors during the warranty period, the repair will be carried out by our company without charging any labor or parts replacement fees.

10. If the consumer uses their repair rights and the product:

- Malfunctions at least four times within one year from the delivery date, or more than six times within the warranty period specified by the manufacturer, and these malfunctions prevent the product from being used continuously,
- The service station determines through a report that the malfunction cannot be repaired, the consumer may request the product to be replaced free of charge, a refund, or a price reduction corresponding to the defect.

11. Malfunctions caused by misuse contrary to the guidelines in the user manual or service work performed by any service other than the authorized service are not covered by the warranty.

12. Warnings regarding any conditions that may be harmful to human health or the environment during the use of our products can be found in this user manual.

13. In case of any disputes related to the exercise of the warranty rights, the consumer may apply to the Consumer Arbitration Committee or Consumer Court in the place where they reside or where the transaction was made.

14. If the seller fails to provide this warranty certificate, the consumer may apply to the Ministry of Customs and Trade, General Directorate of Consumer Protection and Market Surveillance.

Huđlu Savunma A.Ş.

Huđlu Mah. Özgürlük Cad.
No: 42 42710
Beyşehir/Konya/Türkiye

Satış Ofisi / Sales Office
T. +90 332 516 16 00
F. +90 332 516 10 31

Fabrika / Factory
T. +90 332 516 11 53 (PBX)
F. +90 332 516 10 32

   huglu.com.tr