

DV15-G2

USER'S MANUAL



INDEX

OVIS	1	CLEANING AND MAINTENANCE INSTRUCTIONS	12
WARNING AND SAFETY	2	BOLT MAINTENANCE	13
10 RULES OF SAFE GUN HANDLING	3	PARTS CHART	14
USER INSTRUCTIONS	5	PART LIST	16
TECHNICAL SPECIFICATIONS	6	BOTTOM RECEIVER ASSEMBLY	17
TRIGGER SAFETY	7	UPPER RECEIVER ASSEMBLY	18
MAGAZINE LOADING	8	BOLT ASSEMBLY	19
AMMO LOADING	9	MAGAZINE ASSEMBLY	20
AMMO UNLOADING	10	BARREL PROFILE DIMENSIONS	21
REMOVING BOLT	11	CERTIFICATE OF WARRANTY	22

DV15-G2



WARNING AND SAFETY

**BEFORE USING YOUR GUN, PLEASE READ
CAREFULLY USER'S MANUAL**

IMPORTANT WARNING:

BEFORE DISASSEMBLING GUN

1) POINT THE GUN TO A SAFETY PLACE.

2) MAKE SURE THAT EMPTY MAGAZINE.

3) BE SURE THAT CHAMBER IS EMPTY.

Dear User,

-We thank you very much choosing our fine art products.

-Please understand the mean that the first step of safety is yourself. Do not forget ever firearms are different however much you are experienced.

- The rifle is not used in accordance with the safety instructions and user's manual; injuries that may result in material accidents and death may occur. Our company is not responsible for the damages that will occur.

-Our company is not responsible for the use of non-standard or damaged ammunition in your rifle.

-The last checks of your rifle were made by our company and carefully packed.

-Our company is not responsible for any problems that occur during the transportation after the purchase. Therefore, carefully inspect the rifle when receiving it.

- These user's manual must always be kept with the rifle.

10 RULES OF SAFE GUN HANDLING

1. ALWAYS KEEP THE MUZZLE POINTED IN A SAFE DIRECTION

This is the most basic safety rule. Never point your gun at anything you do not intend to shoot. Make it a habit to know exactly where the muzzle of your gun is pointing at all times, and be sure that you are in control of the direction in which the muzzle is pointing, even if you fall or stumble. This is your responsibility, and only you can control it.

2. FIREARMS SHOULD BE UNLOADED WHEN NOT ACTUALLY IN USE

Firearms should be loaded only when you are in the field or on the target range or shooting area, ready to shoot. When not in use, firearms and ammunition should be secured in a safe place, separate from each other. It is your responsibility to prevent children and unauthorized adults from gaining access to firearms or ammunition. Unload your gun as soon as you are finished. Whenever you handle a firearm or hand it to someone, always open the action immediately, and visually check the chamber, receiver and magazine to be

certain they do not contain any ammunition. Never assume a gun is unloaded — check for yourself! This is considered a mark of an experienced gun handler! There is never any excuse to carry a loaded gun in a scabbard, a holster not being worn or a gun case.

3. DON'T RELY ON YOUR GUN'S "SAFETY"

Treat every gun as though it can fire at any time. The "safety" on any gun is a mechanical device which, like any such device, can become inoperable at the worst possible time. Never assume a gun is unloaded — check for yourself! Never touch the trigger on a firearm until you actually intend to shoot. Never pull the trigger on any firearm with the safety on the "safe" position or anywhere in between "safe" and "fire." It is possible that the gun can fire at any time, or even later when you release the safety, without you ever touching the trigger again. Again, never rely on your gun's safety. You and the safe gun handling procedures you have learned are your gun's primary safeties.

4. BE SURE OF YOUR TARGET AND WHAT'S BEYOND IT

No one can call a shot back. Once a gun fires, you have given up all control over where the shot will go or what it will strike. Don't shoot unless you know exactly what your shot is going to strike. Be sure that your bullet will not injure anyone or anything beyond your target. Firing at a movement or a noise without being absolutely certain of what you are shooting at constitutes disregard for the safety of others. You should keep in mind how far a bullet will travel if it misses your intended target or ricochets in another direction.

5. USE CORRECT AMMUNITION

Firearms are designed, manufactured and proof tested to standards based upon those of factory loaded ammunition. Handloaded or reloaded ammunition deviating from pressures generated by factory loads or from component recommendations specified in reputable handloading manuals can be dangerous, and can cause severe damage to guns and serious injury to the shooter. Do not use improper reloads or ammunition made of unknown components. Form the habit of examining every cartridge you put into your gun.

6. IF YOUR GUN FAILS TO FIRE WHEN THE TRIGGER IS PULLED, HANDLE WITH CARE!

Occasionally, a cartridge may not fire when the trigger is pulled. If this occurs, keep the muzzle pointed in a safe direction. Keep your face away from the breech. Then, carefully open the action, unload the firearm and dispose of the cartridge in a safe way. Any time there is a cartridge in the chamber, your gun is loaded and ready to fire even if you've tried to shoot and it did not go off. It could go off at any time, so you must always remember Rule #1 and watch that muzzle!

7. ALWAYS WEAR EYE AND EAR PROTECTION WHEN SHOOTING

All shooters should wear protective shooting glasses and some form of hearing protectors while shooting. Exposure to shooting noise can damage hearing, and adequate vision protection is essential. Most rules of shooting safety are intended to protect you and others around you, but this rule is for your protection alone.

8. BE SURE THE BARREL IS CLEAR OF OBSTRUCTIONS BEFORE SHOOTING

Before you load your firearm, open the action and be certain that no ammunition is in the chamber or magazine. Be sure the barrel is clear of any obstruction. Even a small bit of mud, snow, excess lubricating oil or grease in the bore can cause dangerously increased pressures, causing the barrel to bulge or even burst on firing, which can cause injury to the shooter and bystanders.

9. DON'T ALTER OR MODIFY YOUR GUN, AND HAVE GUNS SERVICED REGULARLY

Firearms are complicated mechanisms that are designed by experts to function properly in their original condition. Any alteration or change made to a firearm after manufacture can make the gun dangerous and will usually void any factory warranties. Your gun is a mechanical device that will not last forever and is subject to wear. As such, it requires periodic inspection, adjustment and service. Check with the manufacturer of your firearm for recommended servicing.

10. LEARN THE MECHANICAL AND HANDLING CHARACTERISTICS OF THE FIREARM YOU ARE USING

Not all firearms are the same. The method of carrying and handling firearms varies in accordance with the mechanical characteristics of each gun. Since guns can be so different, never handle any firearm without first having thoroughly familiarized yourself with the particular type of firearm you are using, the safe gun handling rules for loading, unloading, carrying and handling that firearm, and the rules of safe gun handling in general. You should always read and refer to the instruction manual you received with your gun, or if you have misplaced the manual, simply contact the manufacturer for a free copy. Do not use any firearm without having a complete understanding of its particular characteristics and safe use.

AMMUNITION

Use only factory-manufactured standard ammunition of appropriate caliber, which are in compliance with CIP regulations (International Proof Commission for Firearms and Ammunition) or SAAMI (Sporting Arms and Ammunition Manufacturers' Institute Inc. of the United States). The use of other cartridges could damage the firearm or cause malfunctions or injury to the shooter.

REMOVAL OF THE MAGAZINE

After placing your hand under the magazine, the magazine catch is pushed forward and removed.

REMOVAL OF THE BOLT

The bolt is moved to the discharge position. By pressing the bolt stop button located on the left side of the body, the bolt is pulled back slowly and the bolt is separated from the rifle.

WARNING!

During removal of the bolt, the right hand is held in such a way that it grasps the cocking handle and the bolt. It is prevented from damaging the stock.

In order to separate the bolt from the rifle, the cheek on the butt stock should be in the lowest position.

OVIS-G2



Technical Specifications

CALIBER:	.308 Win. / .243 Win. / 6,5 Creedmoor
ACCURACY:	Sub MOA at 100 meters (Comply With C.I.P. and SAAMI Standards With high quality and premium ammunitions)
TWIST RATE:	.308 Win. : 1/10" .243 Win. : 1/10" 6,5 Creedmoor : 1/8"
GROOVES:	.308 Win. : 4 .243 Win. : 6 6,5 Creedmoor : 6

MAGAZINE CAPACITY:	3+1, 5+1 (AICS Compatible - .308 Win. / .243 Win. / 6,5 Creedmoor)
BARREL LENGTH:	20" / 51 cm ve 22" / 56 cm.
TRIGGER WEIGHT:	1.300 - 1.500 gr / 12,7 N - 14,7 N
STOCK:	Turkish Walnut / Polymer
WEIGHT:	3000 ± 100 gr. (Without Ammo and Accessories)

DON'T TRUST THE SAFETY OF THE GUN!

We take great care to ensure the highest level of performance and safety for your rifle and meticulously prepared. However, since the safety on your rifle is a mechanical component, do not compromise on safety rules, considering the possibility that it may malfunction at any time.

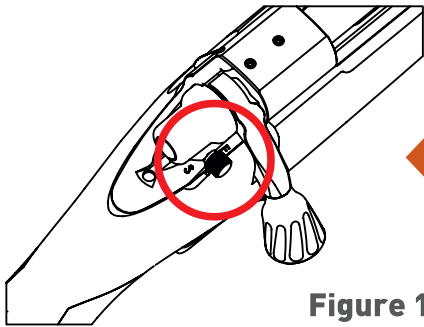


Figure 1

Figure 1
Safety Off
(Shooting Position)

The safety is pushed forward, now the rifle is ready for firing.

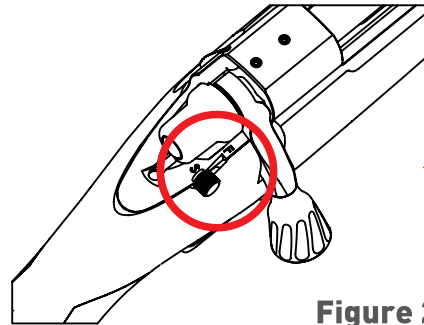


Figure 2

Figure 2
Safety On
(Safe Position)

The safety is pulled back, making the rifle safe.

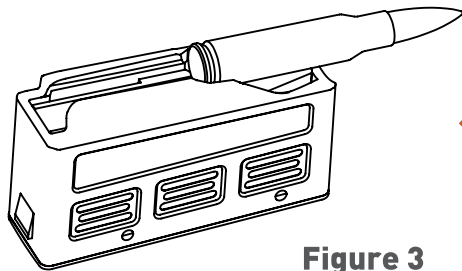
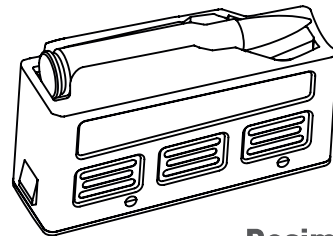


Figure 3

Figure 3
The cartridge is pressed from the top as in the pictures.



Resim 4

Figure 4
After it is pushed forward, it should look like the figure.

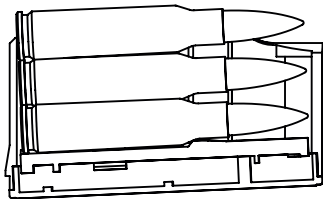


Figure 5

Figure 5
The correct way of loading the cartridges into the magazine should be as shown in the picture.

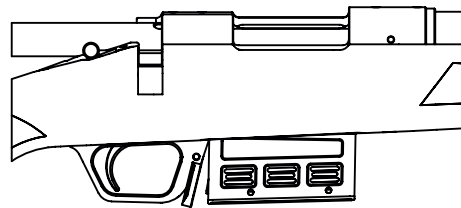


Figure 6

Figure 6
After loading the cartridges into the magazine, insert the magazine into the magazine slot.

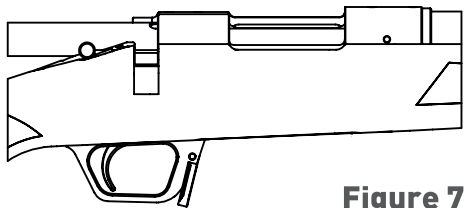


Figure 7

Figure 7
After the magazine has been inserted, the bolt handle is pushed forward.

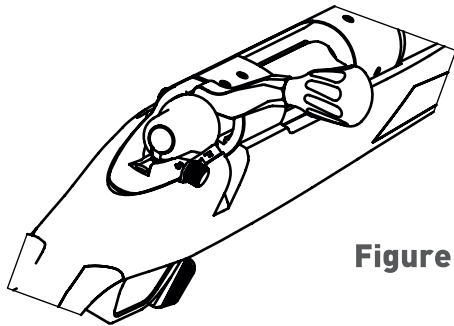


Figure 8

Figure 8
The mechanism is pushed forward and closed 90° downwards.

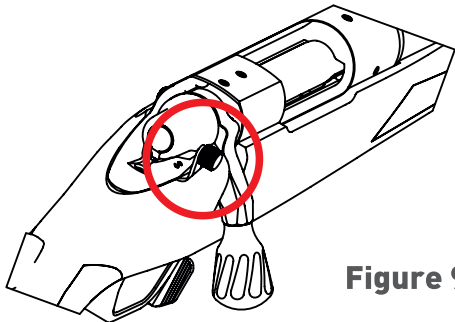


Figure 9

Figure 9
The safety is off position and the weapon is made ready for firing.

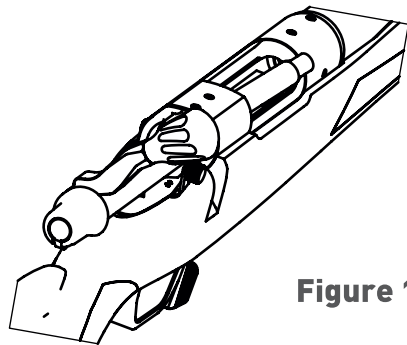


Figure 10

Figure 10
After the shot is fired, the bolt is opened 90° upwards and the empty cartridge case is ejected by pulling it backwards. Figures 7 and 8 are then repeated.

WARNING: Whether or not there is any ammunition in the barrel, when the shot is abandoned or when the shot is completed, the muzzle is turned to the safe area in a controlled manner.

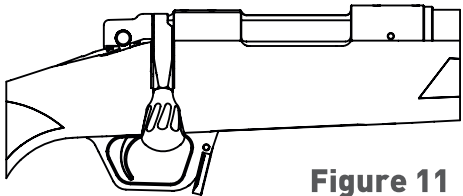


Figure 11

Figure 11
When the shot is abandoned while the rifle is loaded; the loaded rifle is turned to a safe area.

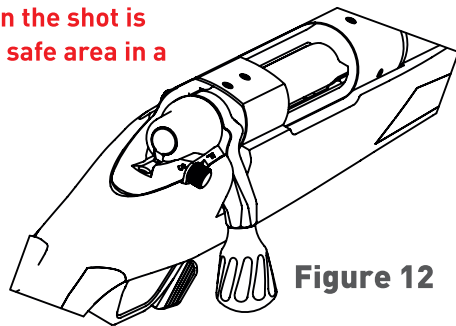


Figure 12

Figure 12
The safety is activated by pulling it back.

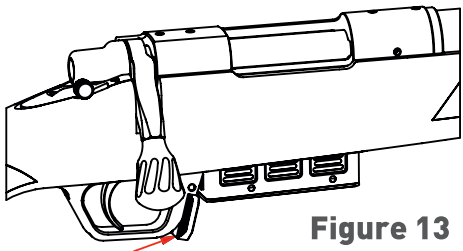


Figure 13

Figure 13
After placing hand under the magazine, the magazine is pushed forward and the magazine is removed.

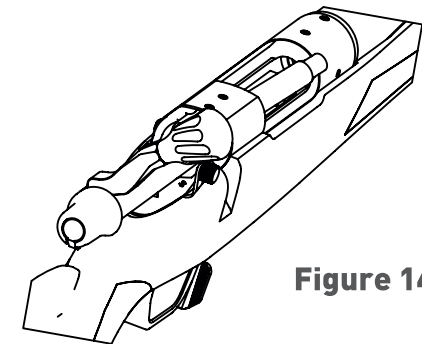


Figure 14

Figure 14
The bolt is pulled back and the cartridge in the chamber is removed. After visual inspection, the chamber is checked by hand to ensure that the chamber is empty.

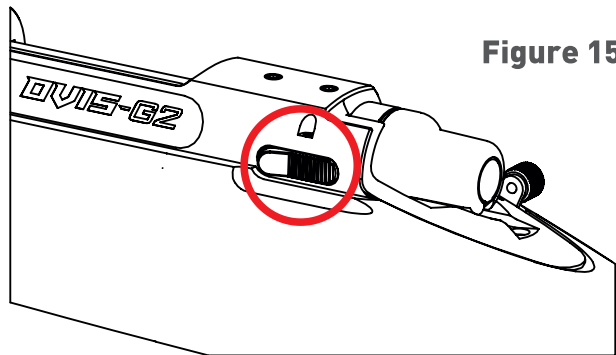


Figure 15

Figure 15

Make sure the rifle is unloaded. Secure the rifle and turn it to the safe area. Press and hold the bolt stop on the left side of the rifle.

Figure 16

After opening the mechanism 90° upwards, pull it out and remove it carefully so as not to damage yourself or the stock.

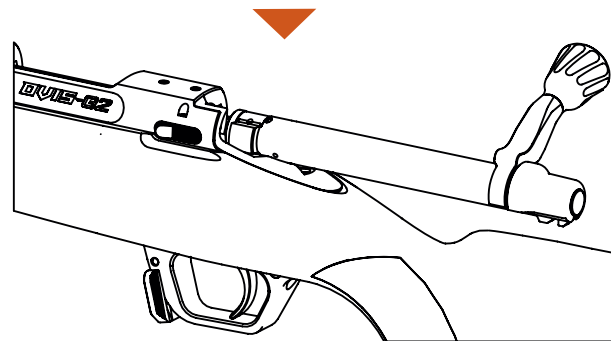


Figure 16

CLEANING AND MAINTENANCE INSTRUCTIONS

BEFORE CLEANING AND MAINTAINING YOUR RIFLE;

- Aim the rifle in a safe area and place it in the safety position.
- Remove the magazine and make sure that the chamber is empty.
- Remove the bolt by pressing the bolt stop.
- Do not interfere with your rifle except as instructed in the user's manual.
- For longer and safer use of your rifle, make sure to clean and maintain after the following conditions.
 - * After each use
 - * If your rifle gets wet
 - * After each shot as much as possible
 - * At least once a year in temperate climates
 - * At least once a month in tropical or other harsh climates.

INSTRUCTIONS OF PRESERVATION

- The barrel, chamber and other parts suitable for cleaning should be left clean and dry.
- The rifle is ruptured with a rag or spray soaked with suitable gun oil. Excess oil is removed.
- The barrel must be degreased before shooting.
- At very low temperatures, general parts of the rifle should be free from thick oil and a lubricant suitable for this environment should be used.
- Thick protective materials such as grease; it should only be used in long-term storage and in variable climatic conditions, these materials must be completely free of rifle parts.

DISPOSAL WASTES AFTER CLEANING

- The products used for cleaning should be kept in a way that there is no harmful effect on human and environment and other products like metal, plastic, wood etc. should be separated properly.

CLEANING OF BARREL INSIDE AND CHAMBER

- If the rifle has not yet been fired or several rounds have been fired, the inside of the barrel and the cartridge chamber must be cleaned with the ramrod by repeating until no powder residue remains.
- When the inside of the barrel is very dirty, it is cleaned with a bronze brush and cleaning solution.
- If the inside of the barrel is not cleaned, the cleaning solution is squeezed into the barrel. Wait around 10 minutes (time may vary according to the solution model), repeat the cleaning with a bronze brush.
- The above operations should be carried out from the chamber to the barrel end. The ramrod must not be moved back and forth in the barrel.
- Clean the barrel and the chamber with a clean cloth and ramrod until only oil stains remain on the cloth.

Figure 17

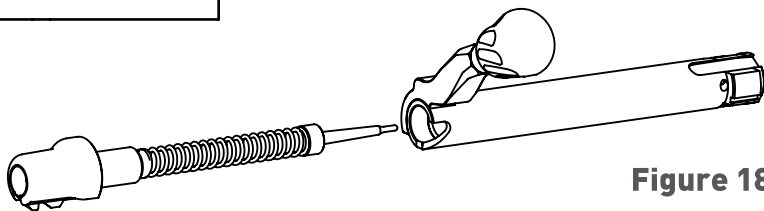
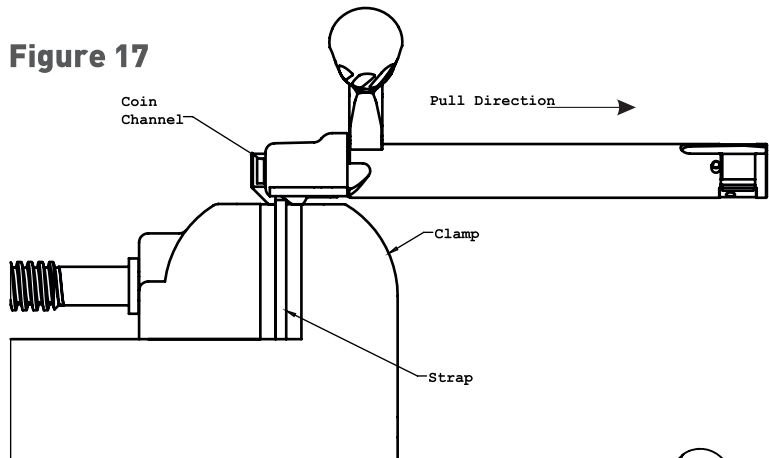


Figure 18

BOLT CLEANING

- After the bolt is prepared as shown in Figure 17, it is pulled towards the pulling direction and the bolt is released after the coin is inserted into the coin channel. Then the needle assembly is removed by opening the bolt holder as shown in Figure 18.
- Once the bolt is disassembled as shown in the picture below, firstly the waste oils on the firing pin group and the bullet-shell particles caused by the firing are carefully cleaned.
- The bolt is first cleaned with the steel wire cleaning brush in the cleaning kit and then with the plastic brush the bullet-shell residues are removed from the bolt forehead. Particularly, around the ejecting mechanism must be free of residues.
- The surface of the bolt is cleaned and l
- The surface of the bolt is cleaned and lubricated by lubricating a clean cloth.

OVIS-G2
PARTS CHART

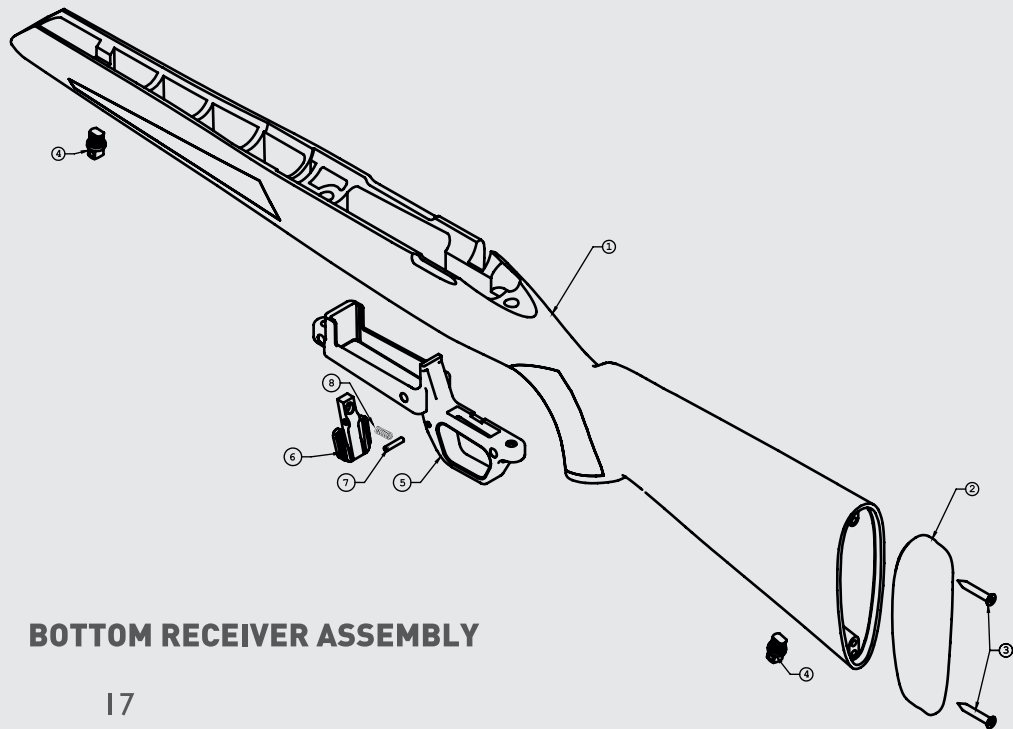
No	Part Name
1	Upper Receiver
2	Recoil Lug
3	Receiver-Lug Pin
4	Barrel
5	Rear Sight Base
6	Rear Sight
7	Sight Screw
8	Elevation Screw
9	Muzzle Thread Protector
10	Front Sight
11	Front Sight Base
12	Front Sight Fixing Screw
13	Bolt Release
14	Bolt Release Spring
15	Bolt Release Pin

No	Part Name
17	Trigger Assembly
34	Receiver-Trigger Assembly Pin
35	Receiver Thread Protector
36	Bolt
37	Ejector
38	Ejector Spring
39	Ejector Pin
40	Extractor
41	Extractor Spring
42	Extractor Pin
44	Bolt Knob (M6)
45	Firing Pin
46	Firing Pin Spring
47	Firing Pin Head
48	Firing Pin-Firing Pin Head Assembly Pin

No	Part Name
49	Bolt Plug
50	Stock
56	Swivel Screw
57	Recoil Pad
58	Recoil Pad Screw
59	Magazine (3rd)
63	Magazine (5rd)
68	Trigger Guard
69	Mag Release
70	Mag Release Spring
71	Mag Release Pin
72	Front Bushing
73	Rear Bushing
74	Front Guard Screw (Flat Head M6x35)
75	Rear Guard Screw (Flat Head M6x40)

Part List

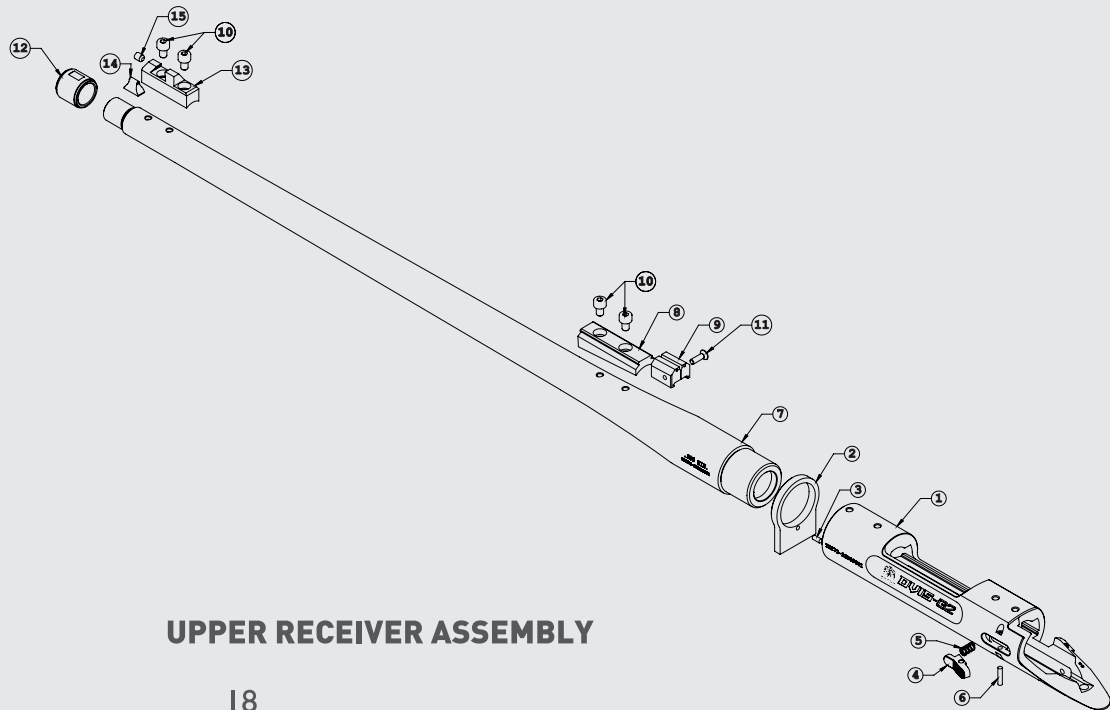
1. Stock
2. Recoil Pad
3. Recoil Pad Screw
4. Swivel Screw
5. Trigger Guard
6. Mag Release
7. Mag Release Pin
8. Mag Release Spring



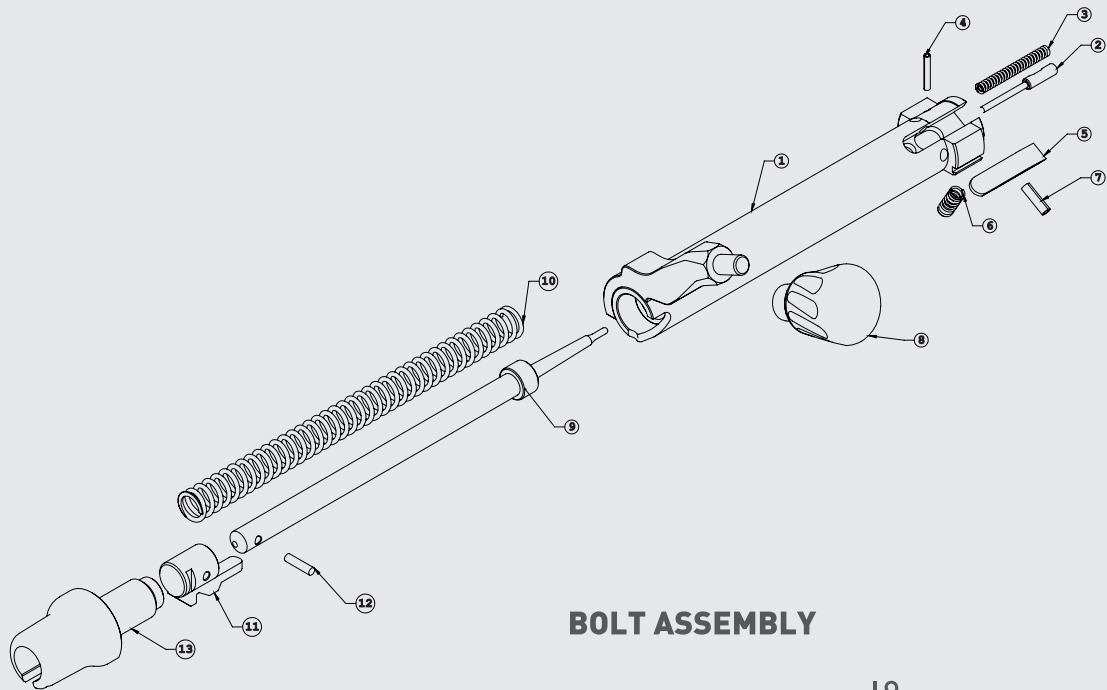
BOTTOM RECEIVER ASSEMBLY

Part List

1. Receiver
2. Recoil Lug
3. Receiver-Lug Pin
4. Bolt Release
5. Bolt Release Spring
6. Bolt Release Pin
7. Barrel
8. Rear Sight Base
9. Rear Sight
10. Sight Screw
11. Elevation Screw
12. Muzzle Thread Protector
13. Front Sight Base
14. Front Sight
15. Front Sight Fixing Screw



UPPER RECEIVER ASSEMBLY



BOLT ASSEMBLY

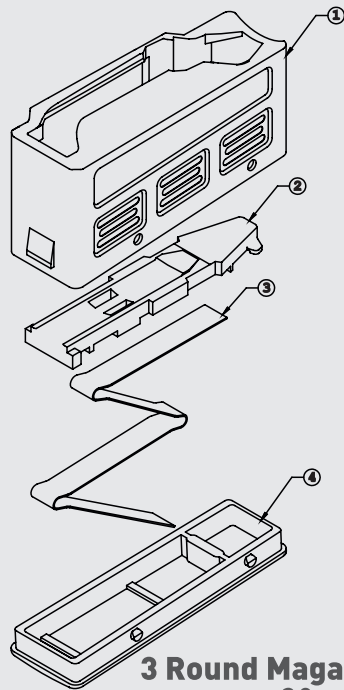
Part List

1. Bolt
2. Ejector
3. Ejector Spring
4. Ejector Pin
5. Extractor
6. Extractor Spring
7. Extractor Pin
8. Bolt Knob (M6)
9. Firing Pin
10. Firing Pin Spring
11. Firing Pin Head
12. Firing Pin-Firing Pin Head Assembly Pin
13. Bolt Plug

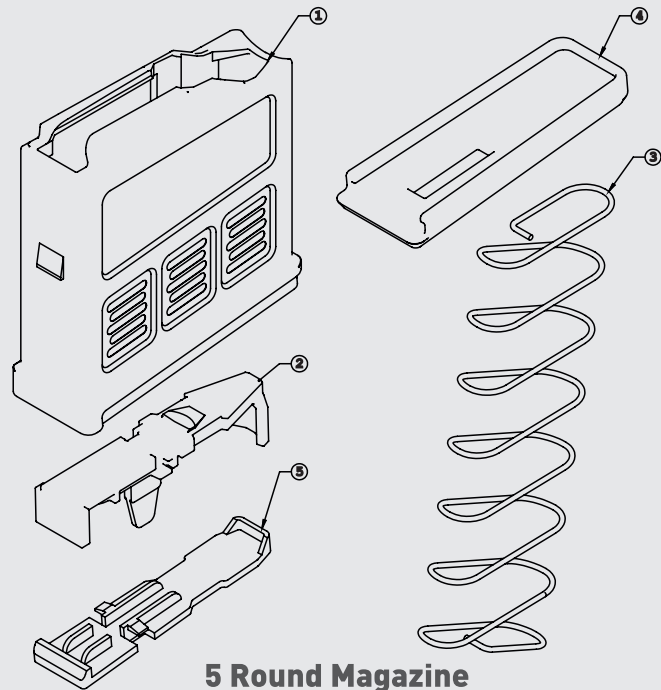
Magazine Assembly

Part List

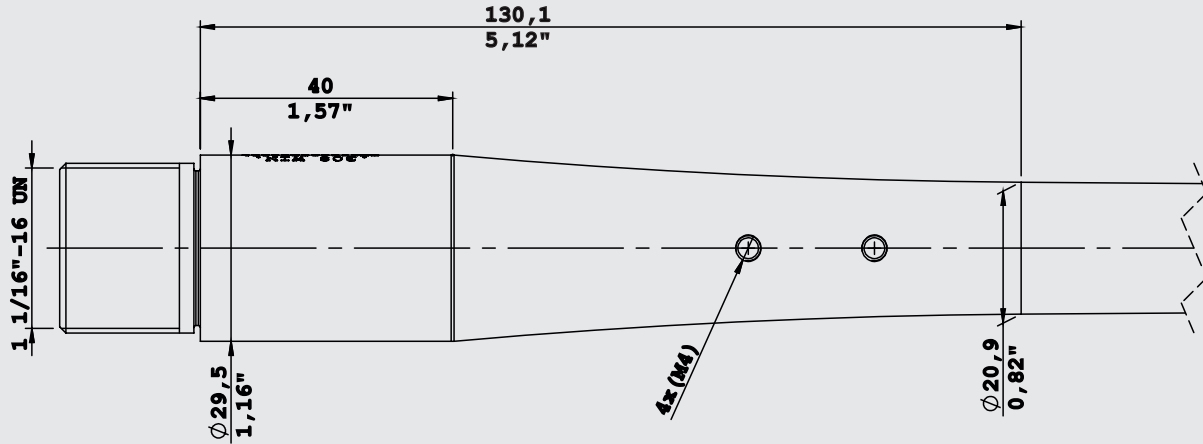
1. Magazine
2. Follower
3. Magazine Spring
4. Base Plate
5. Lock Plate



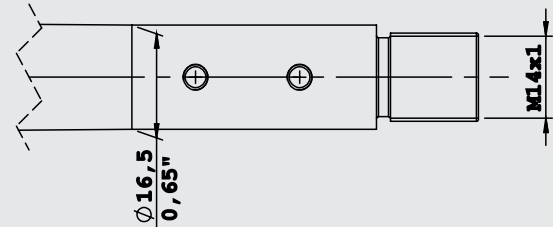
3 Round Magazine
20



5 Round Magazine



BARREL PROFILE DIMENSIONS



1. Warranty period of our products is one (2) year and starts at the delivery date of the product.
2. In case the delivered product specifications do not conform to the specifications at the time of ordering, objection and claim period for correct product is ten (10) days starting from the date of delivery. In case no objection and claim are made in such period, it shall be deemed that the delivered product is accepted. In case the objection is accepted, the product must be returned to our organization within ten (10) days starting from the date of delivery. The product requested by the customer at the time of ordering will be shipped to the customer provided that our experts issue a report as a result of inspection indicating that the product is unused and there are no faults or defects caused by the customer. Replaced product will be shipped to the customer within three (3) months maximum starting from the date that incorrect product is received by our organization.
3. Technical specifications of the product is listed in the "Technical Specifications" section of this manual.
4. Objections and claims will not be processed and no action will be taken regarding the product if a copy of the invoice is not submitted with the defective-faulty product.
5. Our products will be shipped with an empty chamber using the cargo, mail and shipping method requested by the customer in the event of defects and faults. Our organization shall not be responsible for faults and defects occurred during transport.
6. Our products including all parts are completely under the warranty of our company. Faults and defects occurring as a result of storage, maintenance, and improper use violating the matters specified in the

manual are not covered by the warranty.

7. The period elapsed during repair will be added to the warranty period in case the product failures during the warranty period. Such period shall start on the date that the relevant fault is accepted by the service station. The consumer shall not report the failure via phone, fax, email, registered and reply-paid letter or similar methods. The report to be issued by our aftersales service and quality control experts shall be conclusive evidence as to whether the failures and defects occurring in our products will be covered by the Warranty or not.
8. Time to repair and maintain the product with expired warranty shall be evaluated and notified to the user by our expert personnel in case such product fails or requires maintenance.
9. In case the product fails during the warranty period as a result of either materials and labor or assembly failures, such product will be repaired by our Organization without requesting any labor costs, replaced spare part fees, or other fees.
10. The consumer shall be entitled to request free replacement, refund or discount at the rate of defect in case the product
 - Fails minimum four times within one year or more than six times during the warranty period determined by the manufacturer starting from the date of delivery to the consumer provided that such determined warranty period is not expired, and moreover, such failures continually prevent the consumer from utilizing the product,
 - The report issued by the company's service station determines that the failure specified in the report cannot be repaired despite the fact that the consumer has exercised the right to repair.
11. Failures arising from improper use of the product violating the

matters specified in the manual or serviced by a service location other than the authorized service will not be covered by the warranty.

12. Warnings related to the situations during the use of our products which may be dangerous or harmful to the environment and human health are covered by this manual.
13. The consumer may apply to the Consumer Arbitration Committee or Consumer Court located in the residential area or the consumer's location for the disputes which may arise in relation to the exercise of the rights arising from the warranty.
14. The consumer may apply to the Directorate General of Consumer Protection and Market Surveillance of the Ministry of Customs and Trade in case the Seller fails to give this warranty certificate.

Model:

Cal.:

Barrel Length:

Serial Number:

Huđlu Savunma A.Ş.

Huđlu Mah. Özgürlük Cad.
No: 42 42710
Beyşehir/Konya/Türkiye

Satış Ofisi / Sales Office
T. +90 332 516 16 00
F. +90 332 516 10 31

Fabrika / Factory
T. +90 332 516 11 53 (PBX)
F. +90 332 516 10 32

   huglu.com.tr